

ENSTO

Saves Your Energy

SLIW 50 Family

**Revolutionary insulation
piercing connectors**



Ensto SLIW 50 – a totally new
connector family for low voltage

Ensto SLIW 50

– a totally new connector family

Ensto solutions for electricity networks are secure and have a long lifetime. Our reliable and hard-wearing accessories aim at effective and fault-free electricity distribution. We support sustainability as a producer and supplier of solutions for distribution networks.

Ensto, one of the leading companies in insulation piercing technology, has launched SLIW 50 family, a new generation of connectors for low voltage distribution networks. When developing the new SLIW 50 connectors, special attention was given to superb usability, easy installation and good materials.



Ensto SLIW 50 – a totally new connector family



High quality based on long-term international experience

Ensto has thorough knowledge in designing and producing accessories for electricity distribution networks. This, together with our long experience in varying conditions throughout the world, has resulted in the arrival of the new SLIW 50 connector family. The connectors are flexible and widely usable - also in demanding circumstances. SLIW 50 connectors meet the most demanding national and international standards. Actually, SLIW 50 connector family is the first waterproof, low voltage connector series designed and tested according to the new EN50483 standard.

New revolutionary technology

SLIW 50 connectors represent the new Ensto design which combines modern appearance with high quality. In the development of the new SLIW 50 family, special attention has been given into superb usability focusing on durability and easy installation. The basis is cutting-edge technology, materials and continuous testing. The connectors are very robust thanks to 2-component injection molding technology. The compact products require less material and are waterproof.

SLIW 50 connectors – investment into the future

The corrosion-proof SLIW 50 connectors are designed to last for decades – even in the most demanding circumstances. High Ensto quality ensures the reliability of electricity networks and decreases service costs. The compact construction and modern design mean a longer lifetime and also help to save time during the installation. Our experienced service and comprehensive internet pages ensure easy information flow to our customers.



Product information

SLIW50 waterproof insulation piercing connector

TYPE	EAN	MAIN CONDUCTOR mm ²	BRANCH CONDUCTOR mm ²	CONDUCTOR DIA mm	TIGHTENING TORQUE Nm	WEIGHT kg	PACKAGE/ pcs
SLIW50	6438100303921	Al/Cu 10-50	Al/Cu 1.5-10	6.1-12.5 / 3.0-7.0	10 ± 1	0.05	120



SLIW54 waterproof insulation piercing connector

TYPE	EAN	MAIN CONDUCTOR mm ²	BRANCH CONDUCTOR mm ²	CONDUCTOR DIA mm	TIGHTENING TORQUE Nm	WEIGHT kg	PACKAGE/ pcs
SLIW54	6438100303785	Al/Cu 16-120	Al/Cu 6-50	7.0-17.6 / 4.0-12.1	11 ± 1	0.085	60



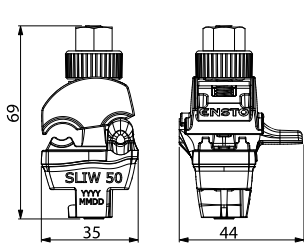
SLIW57 waterproof insulation piercing connector

TYPE	EAN	MAIN CONDUCTOR mm ²	BRANCH CONDUCTOR mm ²	CONDUCTOR DIA mm	TIGHTENING TORQUE Nm	WEIGHT kg	PACKAGE/ pcs
SLIW57	6438100303686	Al/Cu 25-150	Al/Cu 25-95	8.4-18.5 / 8.4-15.2	15 ± 1	0.113	60

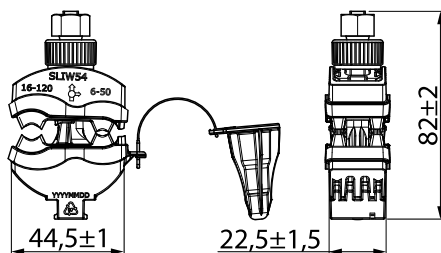


SLIW58 waterproof insulation piercing connector

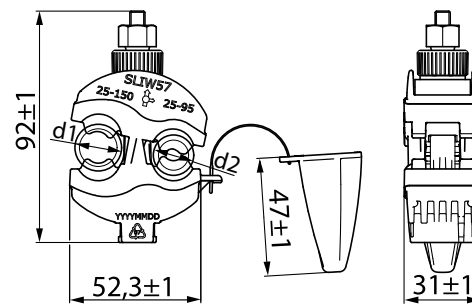
TYPE	EAN	MAIN CONDUCTOR mm ²	BRANCH CONDUCTOR mm ²	CONDUCTOR DIA mm	TIGHTENING TORQUE Nm	WEIGHT kg	PACKAGE/ pcs
SLIW58	6438100307387	Al/Cu 50-150	Al/Cu 50-150	12.5-18.5 / 12.5-18.5	15 ± 1	0.139	60



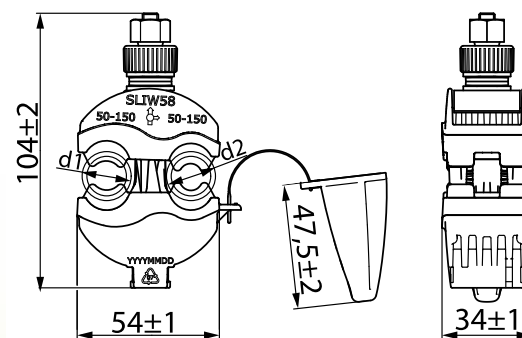
SLIW50



SLIW54



SLIW57



SLIW58



Saves Your Energy

Ensto Finland Oy
 Ensio Miettisen katu 2, P.O. Box 77
 FIN-06101 Porvoo, Finland
 Tel +358 204 76 21
 utility.networks@ensto.com
 www.ensto.com