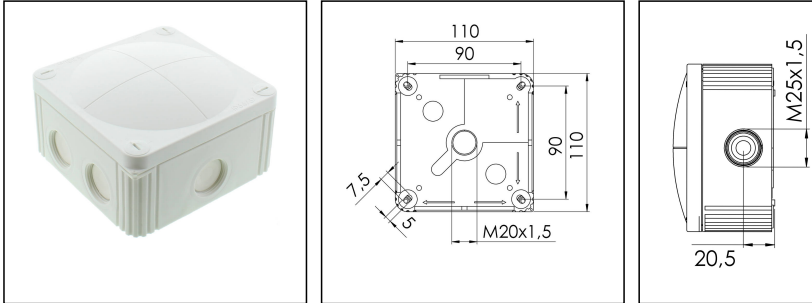



## COMBI® 607/5 WH

Junction box 110x110x66mm, polypropylene, RAL 9001, with terminal block



Products may differ in size, colour and appearance to those shown. If you require further information or customisation, please contact us directly.



<b>Material</b>	Polypropylene
<b>Material sealing gasket</b>	TPE
<b>Temp. range min</b>	-30 °C
<b>Temp. range max</b>	100 °C
<b>Temperatures during install.</b>	-5 °C - 60 °C
<b>Protection class</b>	IP66 / IP67
<b>Glow wire test</b>	750 °C
<b>Voltage</b>	690 V
<b>Rated current / A (Terminal)</b>	41 A
<b>Rated cross section</b>	6 mm <sup>2</sup>
<b>Terminals/poles</b>	5 x 6,0 mm <sup>2</sup>
<b>Fixing</b>	4 internal openings
<b>Ø cable diameter min</b>	5,2 mm
<b>Ø cable diameter max</b>	17 mm
<b>External dimensions LxWxH</b>	110 x 110 x 66mm
<b>Using for cable gland</b>	
<b>Product Color</b>	RAL 9001
<b>WISKA-Order no.</b>	10060534
<b>Type</b>	COMBI® 607/5 WH
<b>Packing unit</b>	3
<b>ETIM-Classification</b>	EC002600

Remarks:

IP66: using the membrane entry

Ø cable: 5,2 - 17 mm

Your Contact:

**WISKA Hoppmann GmbH**

Kisdorfer Weg 28 · 24568 Kaltenkirchen · Germany

☎ +49-4191-508-0 · 📠 +49-4191-508-209

contact@wiska.de · www.wiska.com

**IP67: using the threaded entry together with ESKV cable gland**

Ø cable: 9,0 - 17 mm

**Mounting:**

- 4 internal openings outside of the sealing area

**Equipment:**

- 7 elastic, self-sealing puncture-membranes for cable entry on the side and 3 on the bottom
- 7 integrated M25 thread for mounting without lock nut
- 4 captive cover screws
- inclusive terminal block 5-pole, 6mm<sup>2</sup>

**Recommended accessories**

<b>MP-L Mounting plate large COMBI® / WHK</b>	10105775
<b>External mounting - COMBI®</b>	10108836

**Spare parts**

<b>SP-HKT 607 Terminal block</b>	22000407
----------------------------------	----------

15.10.2019

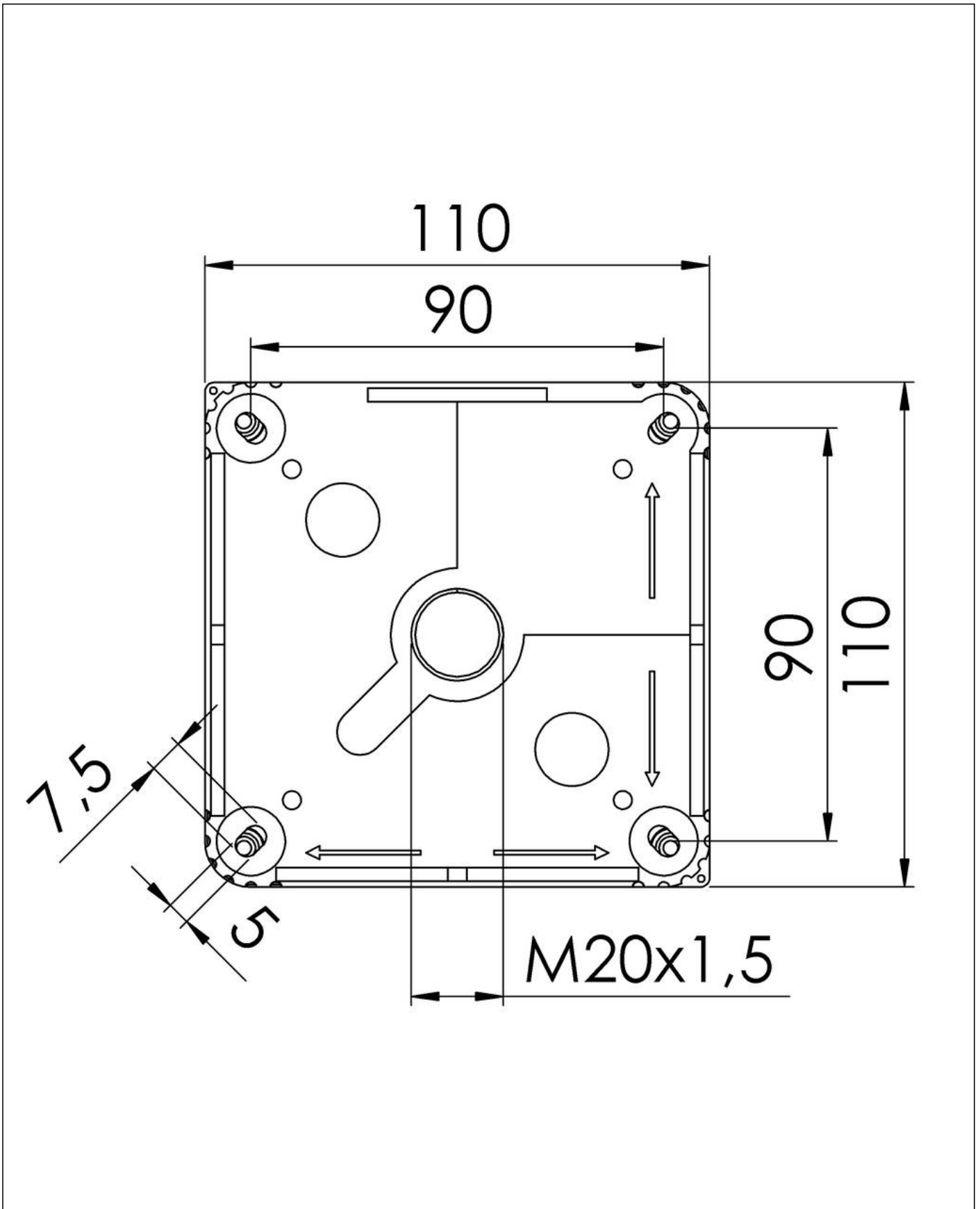
Your Contact:

**WISKA Hoppmann GmbH**

Kisdorfer Weg 28 · 24568 Kaltenkirchen · Germany

☎ +49-4191-508-0 · 📠 +49-4191-508-209

contact@wiska.de · www.wiska.com



Your Contact:

**WISKA Hoppmann GmbH**

Kisdorfer Weg 28 · 24568 Kaltenkirchen · Germany

☎ +49-4191-508-0 · 📠 +49-4191-508-209

contact@wiska.de · www.wiska.com



Your Contact:

**WISKA Hoppmann GmbH**

Kisdorfer Weg 28 · 24568 Kaltenkirchen · Germany

☎ +49-4191-508-0 · 📠 +49-4191-508-209

contact@wiska.de · www.wiska.com